

# Medium-intensity Type A L865 Aviation Obstruction Light AH-MI/A



This Medium-intensity Type A Aviation Obstruction Light flashing white color 24 hours and designed for marking top of obstacle which height is between 105 to 150 meters. Ultra high intensity CREE LED is used for the light source ensure light's long life experience and good performance.



### Compliance

- ICAO Annex 14 Volume 1, Sixth edition, 2013, table 6.3 Medium Intensity Type A Obstruction Light
- FAA L-865

### Features

#### Electrical

- Ultra high intensity LED as light source saving power consumption and maintenance than incandescent light or halogen lamp
- Power supply available in 12VDC, 48VDC, 110VAC, 220VAC

#### Physical

- Unique design and UV protected polycarbonate lens for converging light
- UV protection Powder coated bright yellow color base make better visibility
- Base material is die casting aluminum which has strong corrosion resistance, Shock and Vibrations protection

#### System design

- Built-in photocell for day/night operation(dusk to dawn operation)
- Surge and lightning protection

#### Optional

- Alarm contact() for remote monitoring
- GPS synchronization

### Application

- AH-MI/A medium-intensity light is used on the top of the High-rise Building, High Chimney, marking towers (Telecom, GSM, Microwave & TV), High Pole, Tower Crane, Wind Turbine, etc when the obstacle height is 105-150meter, and most time work with low intensity lights & medium intensity type B light installed on the lower place.

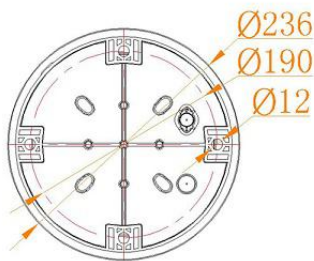
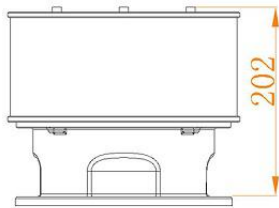
### APPLICATION



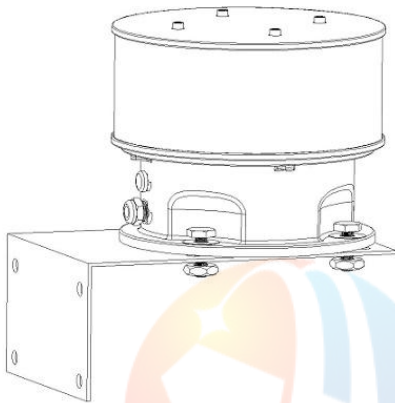
# Medium-intensity Type A L865 Aviation Obstruction Light

## AH-MI/A

### Dimension(mm)



### Installation



(Mounting bracket is charged separately,  
and size is customized)

### SPECIFICATIONS

### AH-MI/A Medium-intensity Type A L865 Aviation Obstruction Light

#### Light Characteristics

Light Source	High intensity LED
Available Colors	White
Intensity(cd)	20000cd ± 25%(Daytime) 2000cd ± 25%(Night)

Horizontal Output(degrees) 360

Vertical Divergence(degrees) 3

Flash Characteristics 40-60 flashes per minute

Operation Mode 24hours operation

LED Life Experience(hours) >100,000

#### Electrical Characteristics

Operating Voltage 12VDC, 48VDC, 110VAC, 240VAC

Power(W) 20(Daytime)

13(Night)

Circuit Protection Integrated

#### Physical Characteristics

Body Material Polycarbonate

Base Material Die-casting aluminum

Mounting 190 × 190 × 612

Dimension(mm) 236 × 236 × 202

Weight(kg) 6.5

Product Life Expectancy 5 years Plus

#### Environmental Factors

Humidity 0%-100%

Wind Speed 80m/s

Waterproof IP66

#### Compliance

ICAO

Annex 14 Volume 1, 'Aerodrome Design and  
Operations' Sixth edition 2016, table 6.3

Medium-intensity Type A White Obstacle Light

L-865

FAA

#### Options Available

GPS Sync Flashing

Dry Contact alarm(NO COM NC)